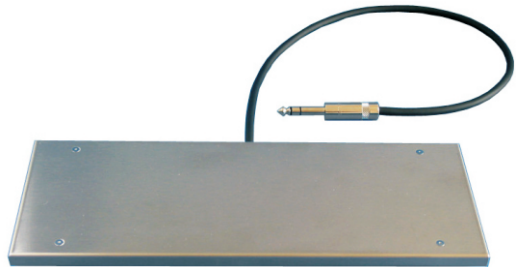




Wah-Pad

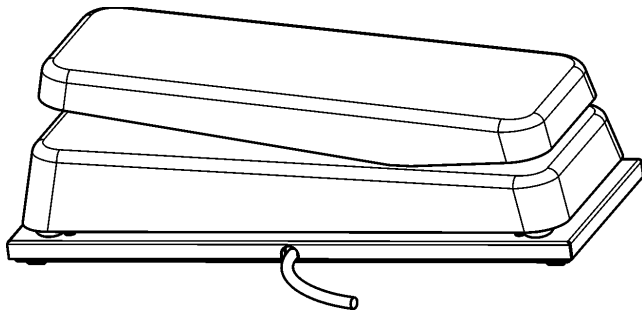


User Manual

Wah-Pad User's Manual

Ver. 1.1

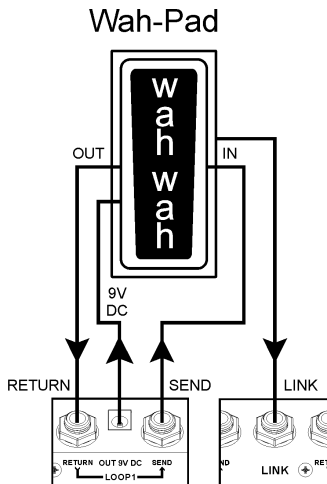
The wah-pad is a device connectable to the Guitar System Controller (GSC) enabling switching on a wah-wah effect by placing a foot on it and switching off a wah-wah effect by removing a foot. The wah-pad should be placed beneath a wah-wah effect and the wah-pad's connector should be plugged into the GSC's LINK connector.



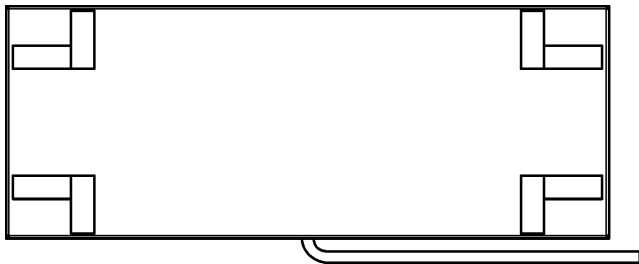
The GSC enables the two wah-pad's modes of working:

- to switch on at any preset a loop to which a wah-wah effect is connected (“adding to preset a wah-wah” mode),
- to switch on No. 5 preset in each bank (“changing preset” mode enabling to change settings of a whole system).

The wah-pad connecting and the GSC setting are described in the Guitar System Controller User's Manual.



To prevent moving a wah-wah effect along the wah-pad there should be stuck attached self adhesive elements. They should be placed on the upper wah-pad surface possibly close to a wah-wah legs as it is shown on the below picture.



The wah-wah effect switch should be at active position and preferably blocked mechanically

Technical specification:

No.	Model	Dimensions [mm]	Weight [kG]	Product code
1.	<i>Wah-pad (wah-wah pad)</i>	260 x 100 x 13,5	0,55	00802

This manual refers to products specified in the table above.



DO NOT PLACE THIS PRODUCT INTO THE WASTE CONTAINER !

This device is marked with a cross-lined waste container symbol according to 2002/96/EU Directive on Waste Electric and Electronic Equipment. Such marking informs that after usage equipment can not be trashed together with other household waste.

An user obligation is to return wasted equipment to a party collecting wasted electric and electronic equipment. Parties collecting such equipment organise a system, including local collection points, shops and other units, allowing to return such equipment. This Directive assures an user free of charge utilisation of such delivered equipment.

This device is made of materials which can be recycled or utilised after becoming out of use. Proper handling of wasted electric and electronic equipment reduce demand for raw materials and contribute in avoiding harmful consequences for environment and health of people caused by dangerous components and not proper storing and utilising of such equipment.



COMPANY ADDRESS

ELZAB S. A.

ul. Kruczkowskiego 39, 41-813 Zabrze, Poland

phone +48 32 272 20 21, fax +48 32 272 81 90

Web site

www.glab.com.pl

Export Department

phone +48 32 272 30 51 inter. 34,

+48 32 272 20 21 inter. 366

e-mail: rydygier@elzab.com.pl

Technical Support

phone +48 32 272 26 23

+48 32 272 20 21 inter. 419, 220

e-mail: help@glab.com.pl

Drawing No. G04INA00