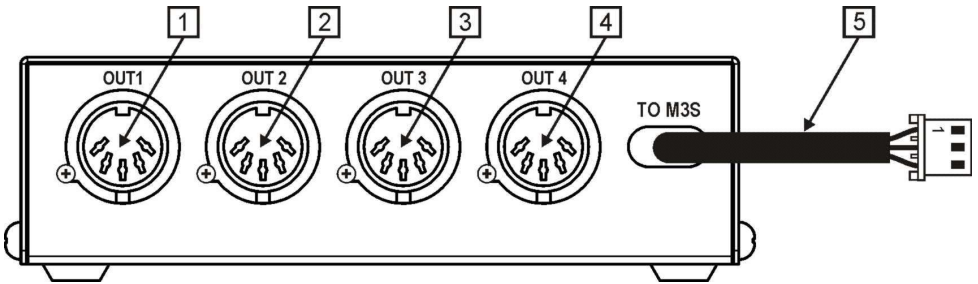


Dear Customer !

Thank you for choosing our product.

MIDI 4 x EXTENSION BOX M4EB is an extension module of MIDI 3 x SPLITTER M3S (product code 00870) with four additional MIDI OUTs. MIDI signal and power supply comes from M3S.

## Structure

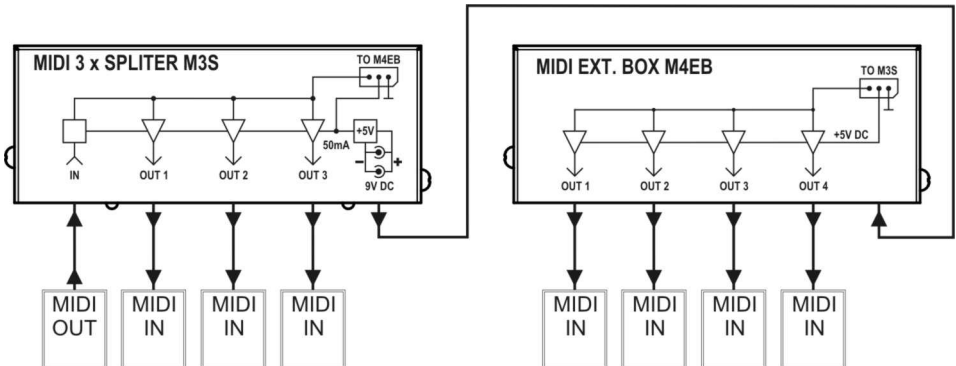


- 1 – MIDI OUT1 connector
- 2 – MIDI OUT2 connector
- 3 – MIDI OUT3 connector

- 4 – MIDI OUT4 connector
- 5 – MIDI signal and power supply cable

## Connecting

The M4EB power supply and MIDI signal cable should be connected to M3S connector. Surplus of cable can be hid in casing.

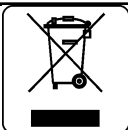


## Mounting

Package contains two Velcro fasteners to fix the device to smooth surfaces.

## Technical parameters

Dimensions:	width	108 mm
	depth	42 mm
	height	31 mm
Weight		160 g
Power supply and MIDI signal		from M3S module
Power consumption		50 mA



### **DO NOT PLACE THIS PRODUCT INTO THE WASTE CONTAINER !**

This device is marked with a cross-lined waste container symbol according to 2002/96/EU Directive on Waste Electric and Electronic Equipment.

Such marking informs that after usage equipment can not be trashed together with other household waste.

An user obligation is to return wasted equipment to a party collecting wasted electric and electronic equipment. Parties collecting such equipment organize a system, including local collection points, shops and other units, allowing to return such equipment. This Directive assures an user free of charge utilization of such delivered equipment.

This device is made of materials which can be recycled or utilized after becoming out of use. Proper handling of wasted electric and electronic equipment reduce demand for raw materials and contribute in avoiding harmful consequences for environment and health of people caused by dangerous components and not proper storing and utilizing of such equipment.