

Dear Customer !

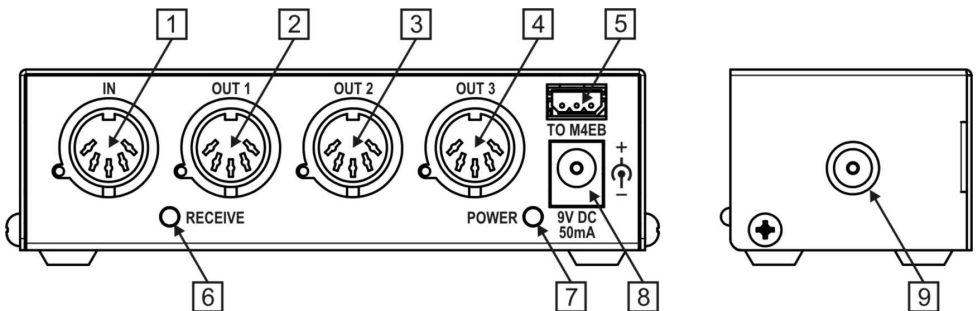
Thank you for choosing our product.

MIDI 3 x SPLITTER M3S converts one MIDI signal into three signals what allows to connect to one MIDI device up to three MIDI devices not equipped with MIDI THRU outputs. Copying is realized by hardware and doesn't change anything in MIDI commands. M3S can work with any MIDI device that fulfill MIDI standard requirements.

Basic features:

- MIDI IN and three MIDI OUT connectors
- galvanic separation of MIDI IN
- power supply (POWER) and transmission (RECEIVE) LED indicators
- 9V DC supply
- possibility to connect an extension module with four MIDI OUTs
- metal, powder coated casing

## Structure



- 1 – MIDI IN connector
- 2 – MIDI OUT1 connector
- 3 – MIDI OUT2 connector
- 4 – MIDI OUT3 connector
- 5 – M4EB out connector

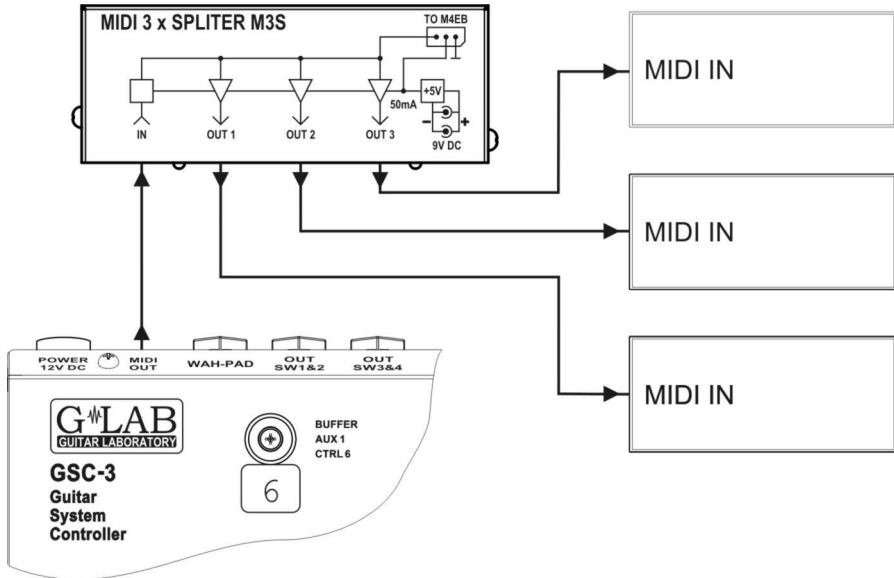
- 6 – transmission indicator
- 7 – power supply indicator
- 8 – power supply connector
- 9 – power supply connector

## Package contents

MIDI 3 x SPLITTER  
9V cable – 80 cm length  
2 Velcro fasteners  
user manual

## Connecting

M3S generates three „thru” copies of the signal arriving at its input. Blinking RECEIVE diode signalizes transmission arriving at input.



## Power supply

M3S should be supplied from 9 V DC regulated external power source with 50 mA delivery. Before plugging the supply please check the pin polarization (CTR -, minus in the center).

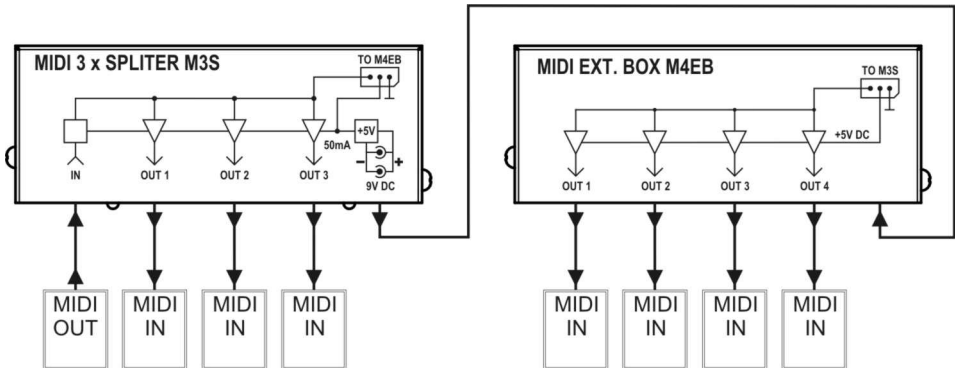
M3S features two 9V connectors. To one of them should be connected the power supply and the second one can be used to supply another device e.g. a stompbox, without a risk of ground loop occurring (supply is connected only with MIDI OUT circuits). Package contains 9V cable with angled connectors of 80 cm length.

M3S is protected against opposite polarity. If this protection switches on it is needed to disconnect the power supply and wait few minutes before reactivating the device.

**ATTENTION:** Damages caused by improper power supply causes the loss of the warranty.

## Connecting M4EB extension module

M3S features an output to connect MIDI 4 x EXTENSION BOX M4EB (product code 00871) which enables to connect four additional MIDI devices.



## Mounting

Package contains two Velcro fasteners to fix the device to smooth surfaces. M3S can be installed in the rack 19" using the GLAB 1U RMS FRONT PANEL.

## Technical parameters

Dimensions:	width	108 mm
	depth	42 mm
	height	31 mm
Weight		170 g
Power supply		9V DC regulated
Power consumption		50 mA



**DO NOT PLACE THIS PRODUCT INTO THE WASTE CONTAINER !**

This device is marked with a cross-lined waste container symbol according to 2002/96/EU Directive on Waste Electric and Electronic Equipment.

Such marking informs that after usage equipment can not be trashed together with other household waste.

An user obligation is to return wasted equipment to a party collecting wasted electric and electronic equipment. Parties collecting such equipment organize a system, including local collection points, shops and other units, allowing to return such equipment. This Directive assures an user free of charge utilization of such delivered equipment.

This device is made of materials which can be recycled or utilized after becoming out of use. Proper handling of wasted electric and electronic equipment reduce demand for raw materials and contribute in avoiding harmful consequences for environment and health of people caused by dangerous components and not proper storing and utilizing of such equipment.